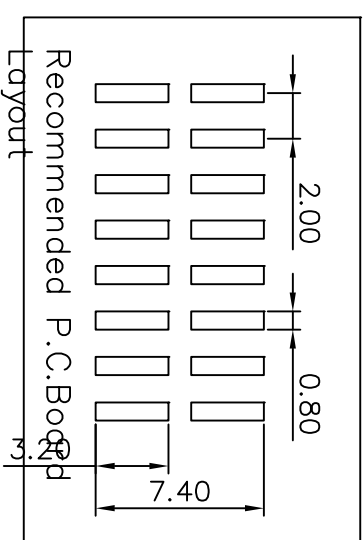
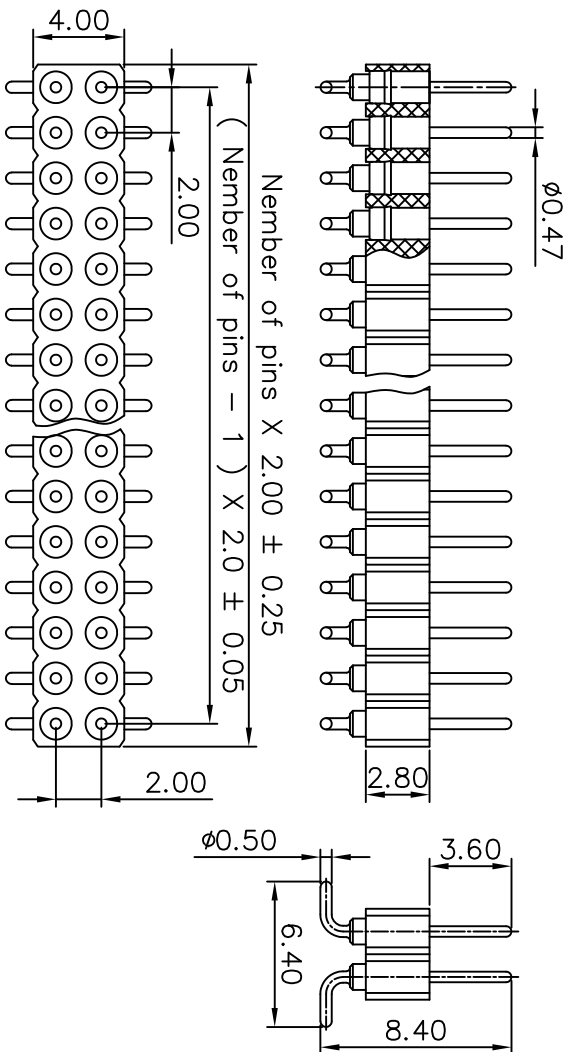


REV. NO.	REVISION NOTE	REVISER	DATE
V0	NEW DRAWING		2023/02/24



Technical Specs:

- Insulator: Black glass filled polyester PPS-GF30-FR
- Flammability: UL 94V-O
- Sleeve: Brass CuZn36Pb3 (C36000)
- Contact clip (4 finger): Beryllium copper (C17200)
- Mating pins: Outside Diameter 0.43 to 0.56 mm
- Forces: (polished steel gauge 0.51 mm)
- Insertion: 2 N typ.
- Withdrawal: 1 N typ.
- Mechanical life: min 500 cycles
- Rated current: 3 A
- Contact resistance: max 20 Milliohms
- Dielectric strength: min 1000 V RMS


 深圳市新世联电子有限公司
 Http://www.ciscom.com TEL: +86 (755) 29912370 FAX: 29912372

Tolerance Unless Otherwise Specified		Title		Units		Scale		REV NO.		Material No.	
.X	~ ±0.30	2.0MM圆PIN排针 SMT		mm		2:1		V0			
.XX	~ ±0.25	Drawing By		Date		Reviewed By		Date		Approval By	
.XXX	~ ±0.20	2023/02/24									
Angle	~ ± 3°										